

Models:

T42311NH series

T42315NH series



A Moen Incorporated Brand

Baystone™



UPC®



Trim for Pressure Balancing Cycling In-Wall Valve without showerhead

DESCRIPTION

- Metal construction with chrome finish or brushed nickel finish indicated by (BN) suffix
- T42311NH – Tub/Shower trim with zinc slip fit diverter tub spout
- T42315NH – Shower only trim
- Twelve (12) individual boxes per master carton

OPERATION

- Rotating style metal lever handle
- Temperature control by 150° arc
- Will operate with less than 5 lbs. of torque
- Stainless steel escutcheon features red and blue molded in color, heat staked temperature indicators that withstand harsh abrasive
- Protective rubber gaskets surround interior and exterior rim
- Weep hole located at bottom of escutcheon
- Slip fit tub spout connects to 1/2" pipe with bottom 5/32" set screw

FLOW

- (NH) suffix indicates trim sold without showerhead

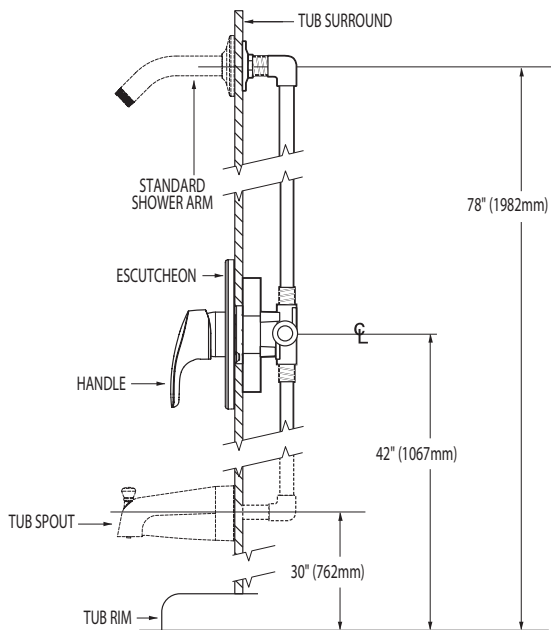
STANDARDS

- Third party certified to CSA B-125.1 and all applicable requirements referenced therein

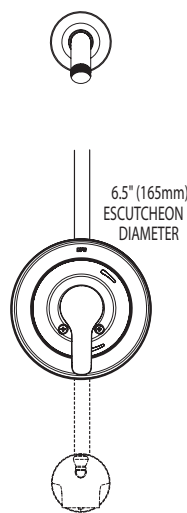
- **ADA** for lever handle

WARRANTY

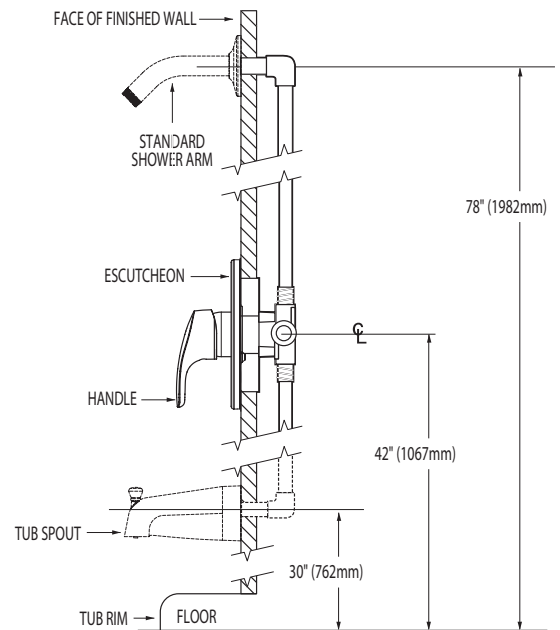
- Ten year limited warranty against defects in materials and manufacturing workmanship
- Refer to the installation instructions enclosed with each CFG product or call 1-888-450-4910 for complete warranty information



THIN WALL



CRITICAL DIMENSIONS
(DO NOT SCALE)



THICK WALL